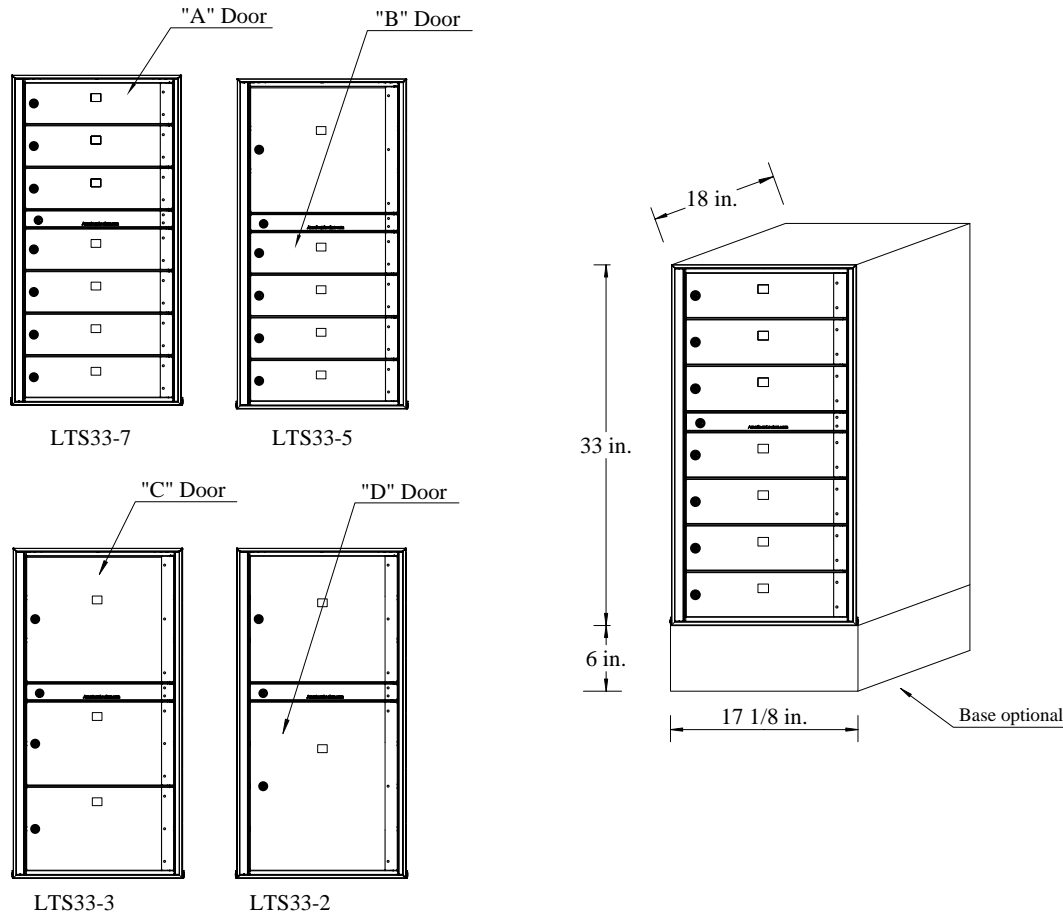




## Keyed Stackable Laptop Lockers



Laptop Lockers: Compartment Clear Openings			
Model	H	W	D
"A" Doors	3-7/8"	14-1/4"	17-1/2"
"B" Doors	8"	14-1/4"	17-1/2"
"C" Doors	12"	14-1/4"	17-1/2"
"D" Doors	16"	14-1/4"	17-1/2"

**MATERIAL:** All aluminum extrusion and sheet.

**FINISH:** Powder coat paint. Standard colors: silver doors, grey stone body. Option Color: Beige

**MASTER DOOR:** Extruded frame allows access to all compartments

**FRAME AND DOORS:** 5052 extruded aluminum 1/8" thickness; doors swing on continuous hinge.

**LOCKS:** Proprietary key locks with 16 million key code combinations.

**SHELVES AND EXTERIOR:** .050" 5052-H-32 aluminum

**RECHARGING:** Recharging via 110V outlet in each compartment

**STACKING:** Units are stackable (2 max.) Secured to wall or recessed.

**OVERALL DIMENSIONS:**  
 33" High x 17 1/8" Wide x 18" Deep

**COMPARTMENT CLEAR OPENINGS:**  
 3-7/8" High x 14-1/4" Wide x 17-1/2" Deep

**OPTIONS:**

- Custom engraving
- 6" base
- Indented plastic number plates
- Black filled permanent engraving
- Combination locks patrons can re-set
- 3" Casters (single stack only)

MODEL:	LTS33-7		
DWG#:	LTS01	SCALE:	
DATE:	9/8/07	BY:	er

