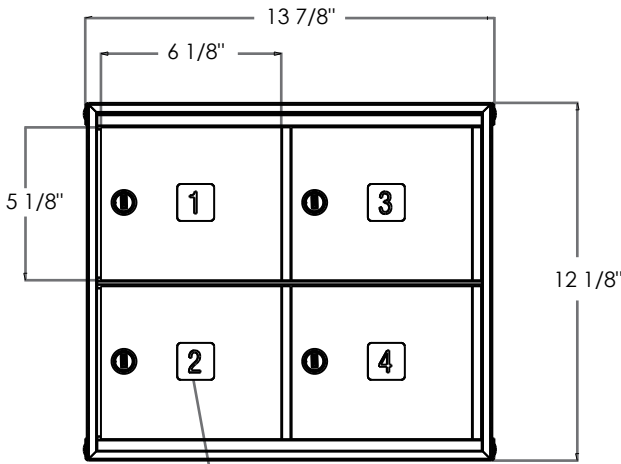
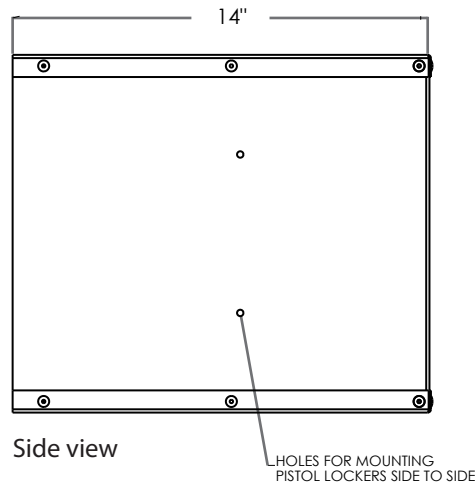




## Pistol Locker - Keyed



INDENTED PHOTO ETCHED DECAL.  
CUSTOM ENGRAVING AVAILABLE.



Pistol Locker Keyed	H x W x D Dimensions
Overall	12-1/8" x 13-7/8 x 14
Compartment	5-1/8" x 6 x 13-1/2
Weight	14.5 lbs

**MOUNTING:** Desktop mounting side to side, or/and vertical mounting.

**LOCKS:** Security type lock with stainless steel assembly. Two keys are provided per compartment. Key and cylinder are removable for replacement. ALSS key locking system is a proprietary system to protect against unauthorized duplications.

**LOCKER MATERIAL:** Case fabricated of all aluminum extrusion. Doors and door tracks are anodized extruded aluminum with a minimum thickness of 1/8" swing on continuous hinge.

**FINISH:** Powder coat finished case in Marine Blue. Optional colors available.

**FABRICATION:** Lockers are shipped fully factory assembled. The design allows modules to be grouped together into a multiple-unit installation. Units may be flush mounted by installing in wall between studs.

**GAUGES:**

- Skin: .050" 5052-H-32 aluminum.
- Shelves: .032" 5052-H-32 aluminum.
- Uprights: .032" 5052-H-32 aluminum.
- Doors: .100" 6063 extruded aluminum.
- All aluminum extrusion is 6063.

**OPTIONS:**

- 3/4" H Permanent engraving.
- Black filled 3/4" H Permanent engraving.

MODEL:	Pistol Locker Keyed		
DWG#	MINI004	SCALE:	
DATE:	7/27/07	BY:	er