

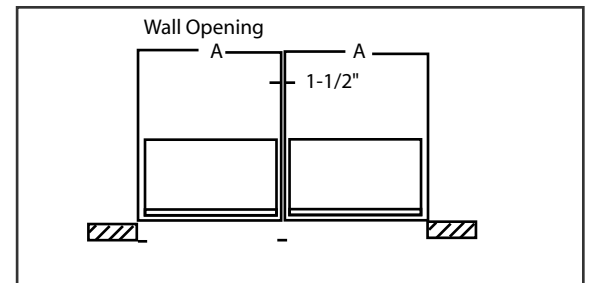
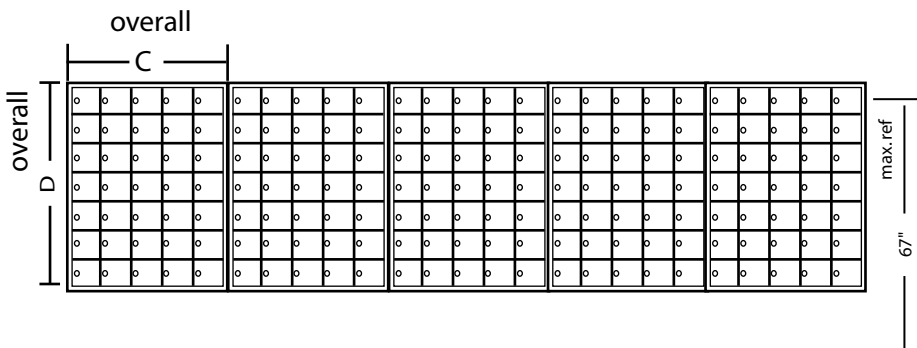
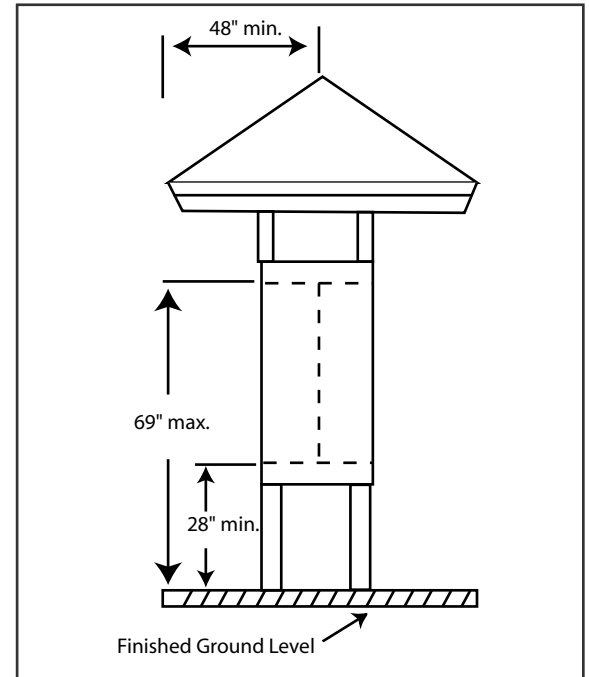
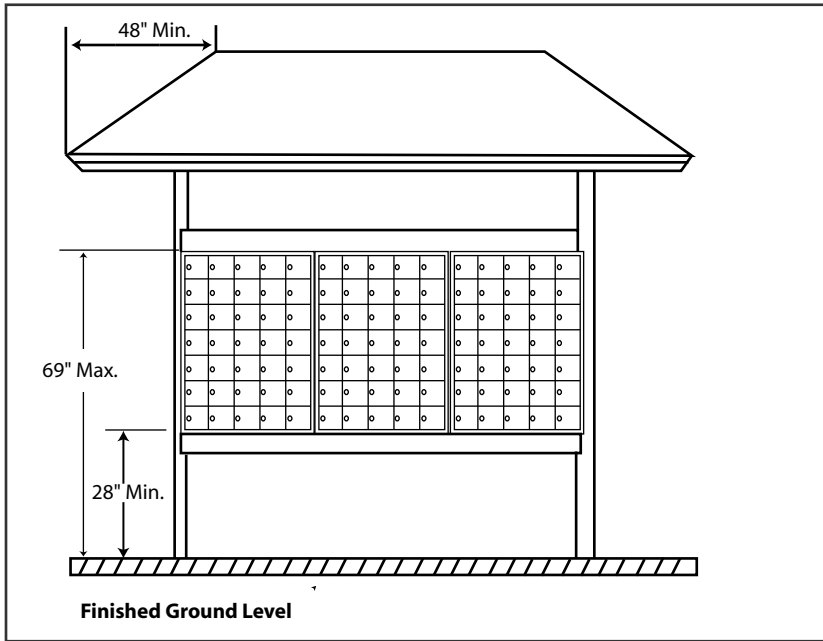
Installation Instructions

900 Series

Centralized Mail Delivery provides delivery and collection services to a number of residences from a centrally located installation.

Benefits to developers, builders and owners who use Centralized Mail Delivery installations, such as the ones depicted, include: Increased Security, Additional Postal Services and Less Expenses than installed pedestal Units

» Installation Diagram: 900 Series FL and RL Mailboxes



Formula to determine the total rough opening for side-by-side installations:

Example: 3 units, 900 Series, 5 x 5 Front Load:

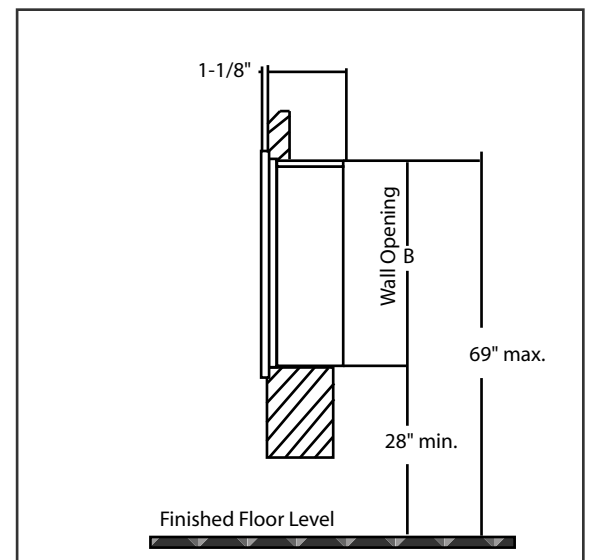
1. Add width (C) overall dimensions from chart,
 $36\text{-}1/16" + 36\text{-}1/16" = 108\text{-}3/16"$
2. Subtract 1-1/2" from total above,
 $108\text{-}3/16" - 1\text{-}1/2" = 106\text{-}11/16"$

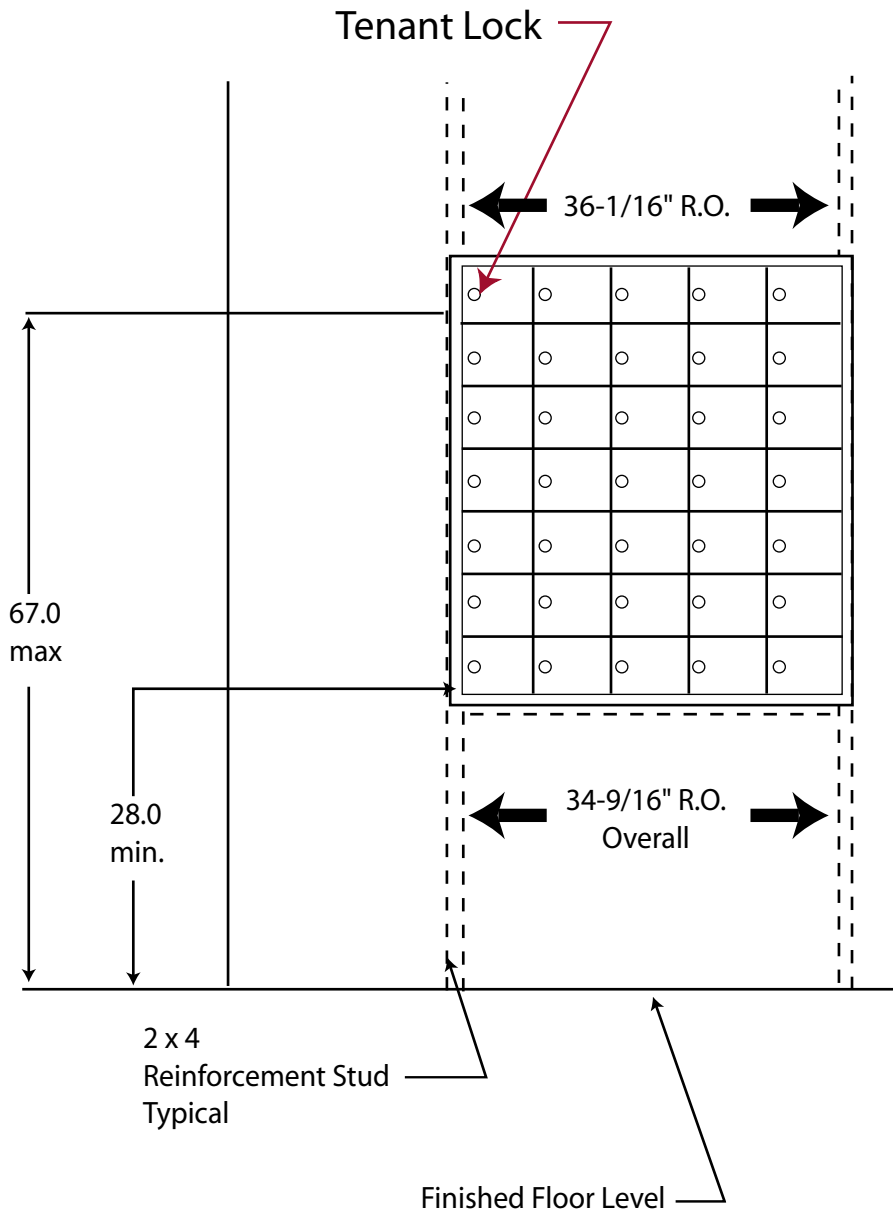
900 Series FL

- 3 Wide- 23-1/8" Overall Width
- 4 Wide- 29-5/8" Overall Width
- 5 Wide- 36-1/16" Overall Width

900 Series RL

- 3 Wide- 21-9/16" Overall Width
- 4 Wide- 28-1/32" Overall Width
- 5 Wide- 34-9/16" Overall Width





» Front Loading Horizontal Type Boxes

Boxes shall be installed according to postal regulations section B 1.d. There shall be no less than 28" from finished floor level to bottom of the lowest tier of letter boxes and no more than 67" from the finished floor level to the tenant locks of the top tier of letter boxes.

The postal access door shall be allowed to open a minimum of 90 degrees with no obstruction.

» Rear Loading Horizontal Type Boxes

Boxes shall be installed according to postal regulations section B.1.d. There shall be no less than 28" from finished floor level to bottom of the lowest tier of letter boxes and no more than 67" from the finished floor level to the tenant locks of the top tier of letter boxes.

The access room for the rear load boxes shall have at least 3' of unobstructed work space from the rear of the units to the wall. The room must be well ventilated and lighted.

» Installing Horizontal Type Boxes

Cut hole in wall no more than 34-3/4" wide and 39-1/2" tall. Securely fasten unit to the 2 x 4 reinforcement studs left side first followed by the right side.

**CANADIAN
LOCKER COMPANY LIMITED**

(800) 494-9073 or (416) 439-5992