

Pistol Locker

All Welded Wall Mounted

Imagine a pistol locker that has the versatility to be mounted on the wall or recessed into the wall. Gun muzzle rests on padded shelf. System includes two keys per lock. Shipped entirely assembled and ready to use.



Gun rests on padded shelf

Number plates

Two keys per lock

Features

- Locked compartments ensure gun safety
- Wall mounted or Recessed installation
- Two keys per compartment
- Numbering plates available

Specifications

Material: Made from cold rolled steel, the construction is all welded without bolts. All burrs are removed to avoid injuries

Sides and Back: Sides and back 20 gauge are one piece construction

Bottom, Top and Shelves: Are made of 20 gauge. The bottom, top and shelves provide a full length door stopper

Door: The door is made of 16 gauge.

Hinge: The spring piano hinges are made of 20 gauge and are riveted at the side with aluminum rivets RIV-068 (3/16" x 1/2").

Finished Surface: Steel is polished until complete disappearance of any imperfection on surface. Steel is cleaned and protected from corrosion using a phosphate treatment. Tough baked enamel finish (last 40-45%).

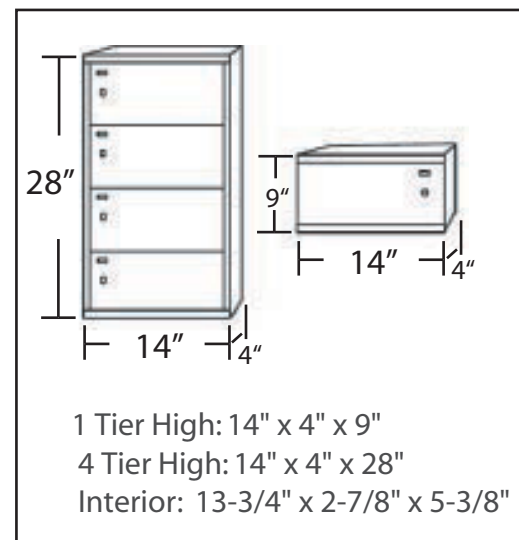
Numbering plates: (2-1/4"W x 1/16"D x 3/4"H) assembled with aluminum rivets RIV-063 (1/8" x 1/4")

Includes:

- 4 compartment with lock (2 keys per lock)
- Pistol Holsters

Color: Standard Grey 9363

Installation: To facilitate the installation to the wall or recessed, the back is provided with holes of 3/8" of diameter.



CANADIAN
LOCKER COMPANY LIMITED

www.canadianlocker.com