



SECURE LOCKING MAILBOXES

TrailMaster Series 700 (Residential) Collection Box 6006 Curbside Box 6007

Series 700

- Holds over two weeks average mail delivery
- Powder coat finish: Gold, Silver, Bronze Grey, Black, White, & Hunter Green
- Combines convenience of a traditional mailbox with the security of locked storage
- Electro-galvanized 18 ga. steel

C/B 6006

- Electro-galvanized steel
- Private use letter drop box
- All welded construction
- Finishes: silver/black or gold/black hammer tone, gold, black, bronze and silver powder coat.

OPTIONS

- Tamper-resistant wall mounting bracket
- Pedestal mounting
- Outgoing mail compartment (standard on TrailMaster Series 700)

***Ideal for Private Residential Use
and Business Needs***

TrailMaster Series 700

16"H x 10 1/4"W x 20 1/4"D

Slot: 1 3/4" x 10 1/4"

Maximum letter size: 10" x 12"

Outgoing Mail Compartment

3 1/2"H x 9 7/8"W x 8"D



Pedestal

In ground 48"

Pad mount 36"

← C/B 6006

13 1/2"W x 18"H x 10 1/2"D

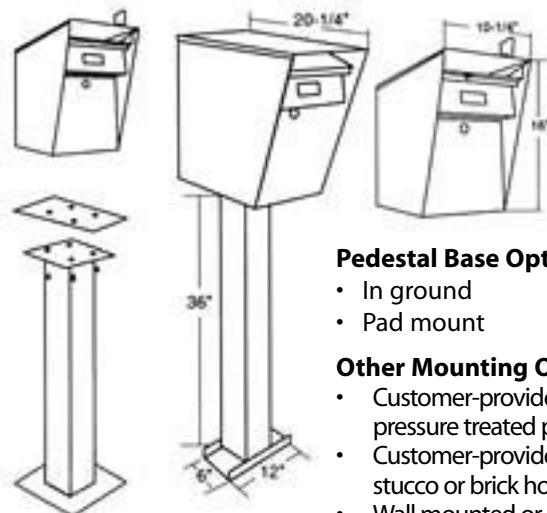
Slot size: 1 3/4"H x 11 1/2"W

C/B 6007 CURBSIDE COLLECTION BOX



- Great for night depository
- Size: 48"H x 20"W x 24"D
- Constructed of heavy gauge steel
- Welded and riveted construction
- Hopper size: 6 1/2"H x 19 3/4"W
- Locking door: 16"H x 19"W
- Choice of colors: Grey, White, Black, Silver, Gold and Bronze

TrailMaster Series 700 Installation Procedures



Pedestal Base Option

- In ground
- Pad mount

Other Mounting Options

- Customer-provided 8x8 pressure treated post.
- Customer-provided stucco or brick housing.
- Wall mounted or semi-recessed.