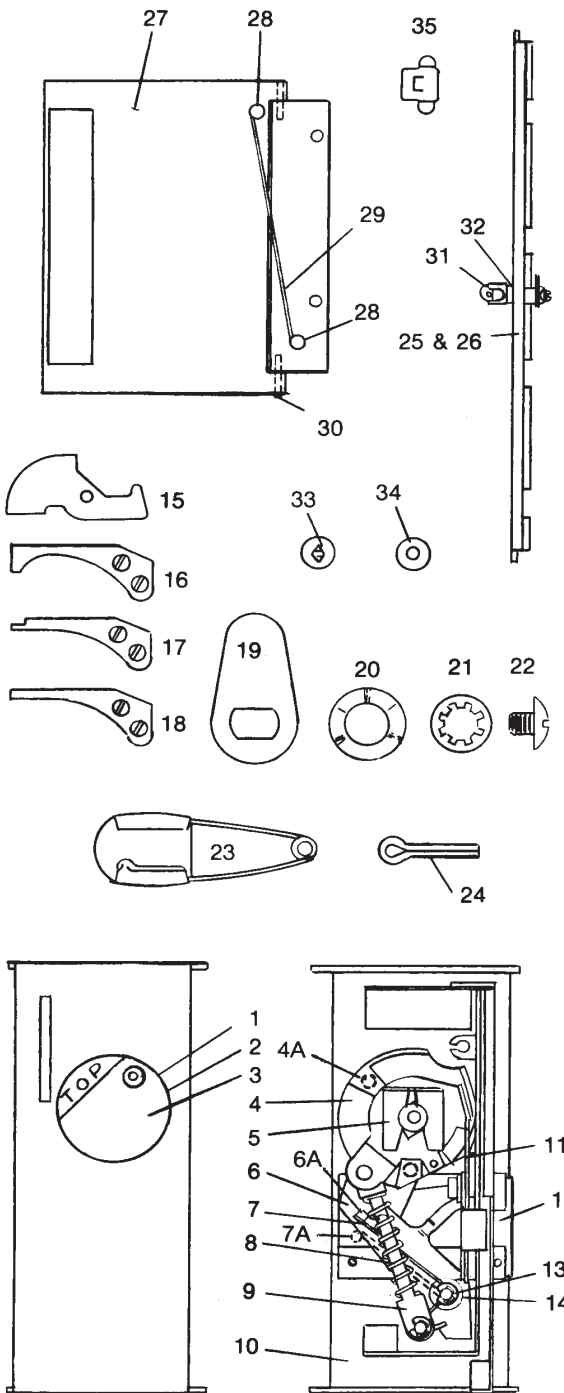


# CANADIAN LOCKER COMPANY LIMITED

## Mini-Check Price List



Item #	Part #	Description	Unit Price
<b>Complete Lock Assemblies</b>			
		Coin select Mini-Check, non-metered (Please specify denominations- dime, nickel, quarter, 2-quarter, tokens)	\$59.50
<b>Patron Cylinder Exchange</b>			
		Exchanging any quantity new keys only	\$5.75
		Numbering on patron keys	\$0.75
		Add for attaching s/s pins or wristbands	\$1.55
<b>Miscellaneous Locker Parts</b>			
		Number decal (specify locker number)	
	AL7591800	Token gold	\$1.25
	AL7591801	Nickel gold	\$1.25
	AL7591802	Dime gold	\$1.25
	AL7591803	2-Quarter gold	\$1.25
	AL7591804	Quarter gold	\$1.25
	AL7591805	\$1.00 Coin-gold	\$1.25
	AL7510000	Rawl fasteners, each	\$1.00
1	AL9436000	Bowed retainer ring (back of face plate)	\$0.25
2	AL8012800	Lock cylinder housing	\$2.50
3	AL8011801	Key and plug assembly (patron)	\$13.25
4	AL9702802	Cylinder cap assembly (no rivets)	\$11.50
4A	AL9506800	Cylinder cap assembly (riveted)	\$11.50
5	AL9437001	Cylinder retainer clip (pkg. of 25)	\$9.00
6A	AL9434001	Coin feeler gauge (No tab)	\$2.75
7	AL9438001	Feeler gauge spring (no return)	\$1.00
7A	AL9438003	Feeler gauge spring (with return)	\$0.90
8	AL9446000	Retarding spring	\$0.75
9	AL9424000	Toggle spring guide	\$0.65
10	AL7000800	Lock face plate	\$21.00
11	AL7006800	Coin selector	\$4.25
12	AL9433000	Lock bolt	\$1.55
13	AL9435000	"E" retaining ring (pkg. of 50)	\$7.50
14	AL9714000	Washer	\$0.15
15	AL7006001	2 Quarter selector	\$3.00
16	AL9430800	Dime restrictor with screws	\$2.50
17	AL9530800	Token restrictor with screws	\$3.50
18	AL9431800	Nickel restrictor with screws	\$2.50
19	AL7505000	Control cam	\$2.00
20	AL9439001	Control spring washer	\$0.30
21	AL9441001	Control lock washer	\$0.30
22	AL9440000	Control screw	\$0.35
23	AL9450000	Pins loose (pkg of 25)	\$21.25
24	AL9287002	Cotter pin (pkg. of 50)	\$6.50
25	AL7580800	Face plate channel assembly with control lock (please specify code)	\$46.90
26	AL7580000	Face plate channel assembly without decals or control lock	\$30.00
27	AL7572800	Door and hinge assembly (Includes spring and pins)	\$38.00
28	AL7575000	Door spring drive screw	\$0.25
29	AL7573000	Door spring	\$1.00
30	AL7576000	Door hinge pins	\$0.30
31	AL8046802	Control key	\$5.95
32	AL8040800	Control cylinder	\$9.00
33	AL9288001	Fastener (pkg of 50)	\$5.50
34	AL9289001	Washer (pkg. of 50)	\$5.50
35	AL9444000	Dime insert	\$1.00

### TO ORDER SERVICE PARTS

Canadian Locker Company Limited  
 5-931 Progress Avenue  
 Scarborough, Ontario M1G 3V5  
 Tel: (800) 494-9073 or (416) 439-5992  
 FAX: (416) 439-7036  
 E-mail us at: [clc@aztec-net.com](mailto:clc@aztec-net.com)

\*Nine Wristband Colors Available:  
 Blue, Ebony, Green, Orange, Pink, Purple, Teal, Yellow or Red

15% RESTOCKING CHARGE ON ALL RETURNED ORDERS.  
 PRICES SUBJECT TO CHANGE WITHOUT PRIOR NOTICE. FOB SHIPPING POINT- MINIMUM BILLING \$20.00 - Plus 7% G.S.T

Visa, Mastercard, American Express

July 2004  
 p10024